

Platform Mounts

Featuring: Platform Mounts
 Heavy-Duty Platform Mounts
 Multiplane Mounts

LORD Platform Mounts provide effective isolation against vibration. The contour of the flexing element was developed to provide uniform stress distribution. This, plus high strength bonding and the use of specially compounded elastomers, provides maximum service life.

These versatile mounts are available in three types, each type featuring square, diamond or holder configurations to suit a variety of design requirements. The three types, Platform Mounts, Heavy-Duty Platform Mounts and Multiplane Mounts, offer a range in load ratings from 0.5 to 600 pounds.

Snubbing washers provide an interlocking system of metal parts which act to prevent damage from overload or excessive shock impact.

LORD Platform Mounts are easy to install and provide space efficiency. Typical applications include electronic equipment, business machines, medical equipment and small pumps, engines and gen sets.

Features and Benefits

- Three types of mounts for different applications
- Square, diamond or holder configurations to suit a variety of design needs
- Load ratings from 0.5 to 500 pounds per mount
- Uniform stress distribution
- Easy to install

Platform Mount Series

Table 1 – Specifications and Dimensions

Series Number	Part Number			Max. Axial Rated Load @ 1/16 in (1.58 mm) Deflection		Axial Spring Rates		Dimensions Under No Load					
	Square	Diamond	Holder	lb	N	lb/in	N/mm	G ①		I		O ①	
								in	mm	in	mm	in	mm
100 Aluminum	–	100PDL-A	–	0.5	2	8	1.4	0.30	7.6	0.41	10.4	0.78	19.8
	100PL-2	100PDL-2	100PHL-2	2	9	32	5.6	0.30	7.6	0.41	10.4	0.78	19.8
	100PL-4	100PDL-4	100PHL-4	4	18	64	11.2	0.30	7.6	0.41	10.4	0.78	19.8
	100PL-6	100PDL-6	100PHL-6	6	27	96	16.8	0.30	7.6	0.41	10.4	0.78	19.8
	100PL-10	–	–	10	44	160	28.0	0.39	9.9	0.62	15.7	0.88	22.4
150 (Steel)	–	150PD-2	–	2	9	32	5.6	0.40	10.2	0.62	15.7	1.12	28.4
	150P-6	150PD-6	–	6	27	96	16.8	0.40	10.2	0.62	15.7	1.12	28.4
	150P-8	150PD-8	150PH-8	8	36	128	22.4	0.40	10.2	0.62	15.7	1.12	28.4
	150P-10	150PD-10	150PH-10	10	44	160	28.0	0.40	10.2	0.62	15.7	1.12	28.4
	150P-12	150PD-12	150PH-12	12	53	192	33.6	0.40	10.2	0.62	15.7	1.12	28.4
	150P-18	150PD-18	–	18	80	288	50.4	0.40	10.2	0.62	15.7	1.12	28.4
	150P-24	150PD-24	–	24	107	384	67.2	0.56	14.2	0.88	22.4	1.28	32.5
150P-30	150PD-30	150PH-30	30	133	480	84.1	0.68	17.3	1.12	28.4	1.41	35.8	
200 (Steel)	–	200PD-15	–	15	67	240	42.0	0.59	15.0	1.00	25.4	1.56	39.6
	200P-25	200PD-25	–	25	111	400	70.1	0.59	15.0	1.00	25.4	1.56	39.6
	200P-35	–	200PH-35	35	156	560	98.1	0.59	15.0	1.00	25.4	1.56	39.6
	200P-45	200PD-45	200PH-45	45	200	720	126.1	0.59	15.0	1.00	25.4	1.56	39.6
200X (Steel)	200XP-60	200XPD-60	–	60	267	960	163.1	1.40	35.6	1.81	46.0	2.38	60.5
	200XP-90	200XPD-90	200XPH-90	90	400	1440	252.2	1.40	35.6	1.81	46.0	2.38	60.5

Materials: Metal parts are cold rolled steel or alodized aluminum alloy. Flexing elements are specially compounded natural rubber. Steel holders for holder-type mountings are plated. Unplated steel parts are coated with specially prepared rust preventative for protection during shipment or storage.

① Reference dimensions.

Tolerances: 0.xx = ± 0.03 in (± 0.762 mm)
0.xxx = ± 0.015 in (± 0.381 mm)

Mounting bolt holes are + 0.003 in (0.076 mm) and - 0.002 in (0.050 mm)

Table 2 – Dimensions

Series Number	Dimensions Under No Load																											
	A ①		B		C		D + 0.008" - 0.002"		E		F		K		L		M		P		Q		R		S		U ①	
	in	mm	in	mm	in	mm	in	mm	in	mm	in	mm	in	mm	in	mm	in	mm	in	mm	in	mm	in	mm	in	mm	in	mm
100	1.00	25.4	1.25	31.8	1.000	25.4	0.166	4.2	0.141	3.6	0.032	0.8	1.69	42.9	1.375	34.9	0.141	3.6	0.025	0.6	1.414	35.9	0.62	15.7	1.66	42.2	0.15	3.8
150	1.50	38.1	1.75	44.5	1.375	34.9	0.257	6.5	0.166	4.2	0.050	1.3	2.38	60.5	1.938	49.2	0.196	5.0	0.032	0.8	1.945	49.4	0.88	22.4	2.32	58.9	0.18	4.6
200	2.00	50.8	2.25	57.2	1.750	44.5	0.391	9.9	0.196	5.0	0.062	1.6	3.00	76.2	2.500	63.5	0.257	6.5	0.032	0.8	2.475	62.9	1.12	28.4	2.98	75.2	0.22	5.6
200X	2.00	50.8	2.25	57.2	1.750	44.5	0.391	9.9	0.196	5.0	0.062	1.6	3.00	76.2	2.500	63.5	0.257	6.5	0.032	0.8	2.475	62.9	1.12	28.4	2.98	75.2	0.22	5.6

Customized designs and special elastomer compounds for specific problems are available. These may result in spring rates and dimensions other than shown.

Isolation Performance: Refer to Engineering Guide, Sample Problems section for a step by step method to calculate system natural frequencies and isolation efficiency.

① Reference dimensions.

For loads over 90 lb (400 N), use a Heavy-Duty Platform Mount. Radial spring rate is approximately two to three times the listed axial spring rate.

Figure 1 – Part Dimensions - Square

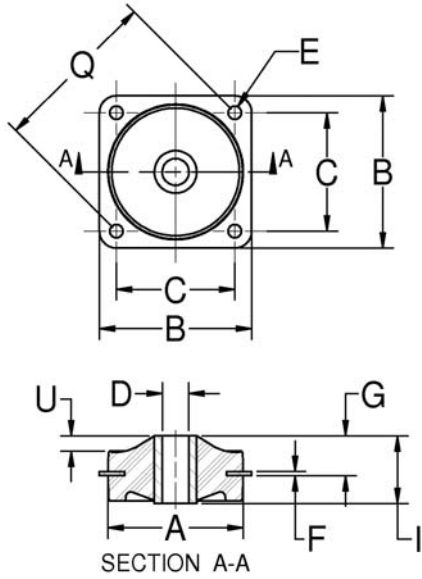


Figure 2 – Part Dimensions - Diamond

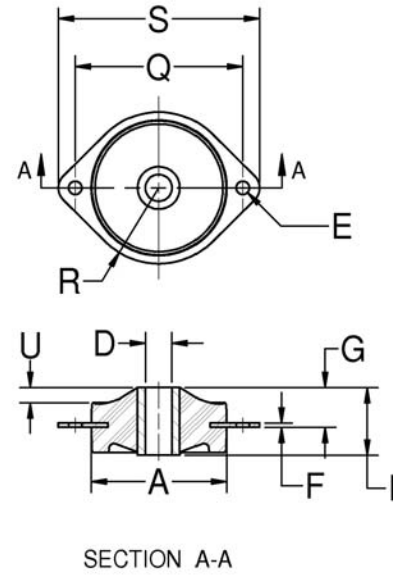


Figure 3 – Part Dimensions - Holder

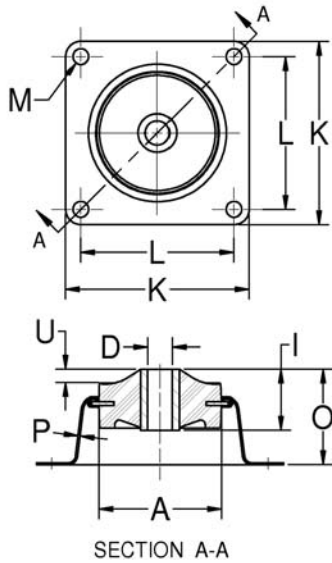


Figure 4 – Installation View

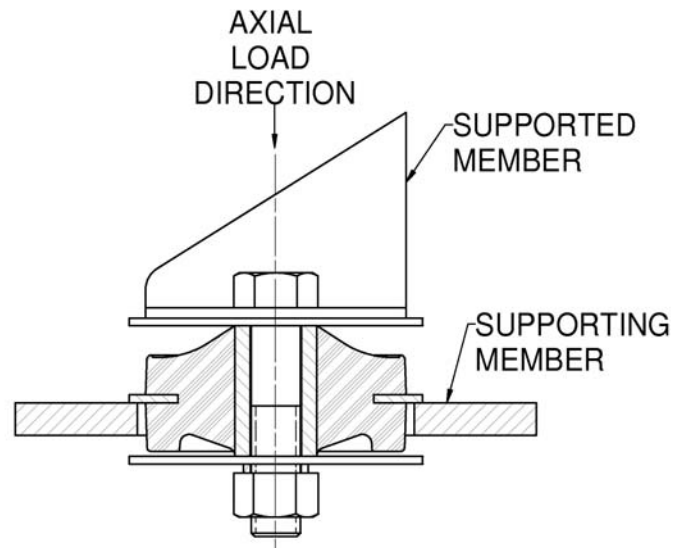


Table 3 – Snubbing Washer Part Numbers and Dimensions

Series Number	Part Number ②	Steel Washer					
		Dimensions					
		O.D.		I.D.		Thickness	
		in	mm	in	mm	in	mm
100	J-2049-1	0.88	22.4	0.17	4.3	0.03	0.8
150	J-2049-2	1.38	35.1	0.26	6.6	0.05	1.3
200	J-2049-3	1.88	35.1	0.39	9.9	0.06	1.5
200X	J-2049-3	1.88	35.1	0.39	9.9	0.06	1.5

② Steel washers are plated.

Heavy-Duty Platform Mount Series

Table 1 – Specifications and Dimensions

Series Number	Part Number		Max. Axial Rated Load		Axial Spring Rates		Dimensions Under No Load							
	Square	Holder	lb	N	lb/in	N/mm	G ①		I		O ①		U ①	
							in	mm	in	mm	in	mm	in	mm
283	283P-120	–	120	534	480	84.1	0.88	22.4	1.25	31.8	3.12	79.2	0.50	12.7
	283P-155	283PH-155	155	689	620	108.6	0.88	22.4	1.25	31.8	3.12	79.2	0.50	12.7
	283P-185	283PH-185	185	823	740	129.6	1.12	28.4	1.50	38.1	3.38	85.9	0.50	12.7
	283P-220	–	220	979	880	154.1	1.12	28.4	1.75	44.5	3.38	85.9	0.50	12.7
	283P-250	–	250	1112	1000	175.1	1.38	35.1	2.00	50.8	3.62	91.9	0.50	12.7
	283P-280	–	280	1245	1120	196.1	1.38	35.1	2.25	57.2	3.62	91.9	0.50	12.7
	283P-310	283PH-310	310	1379	1240	217.2	1.62	41.1	2.50	63.5	3.88	98.6	0.50	12.7
	283P-400	283PH-400	400	1779	1600	280.7	1.62	41.1	2.50	63.5	3.88	98.6	0.50	12.7
	283P-500	283PH-500	500	2224	2000	350.7	1.62	41.1	2.50	63.5	3.88	98.6	0.50	12.7

Materials: Metal parts are steel except holder which is ductile iron. Flexing elements are specially compounded natural rubber. Metal parts are coated with specially prepared rust preventative for protection during shipping or storage.

① Reference dimensions.

Tolerances: 0.xx = ± 0.03 in (± 0.762 mm)
 0.xxx = ± 0.015 in (± 0.381 mm)
 Bolt holes are + 0.005 in (0.127 mm) and - 0.002 in (0.050 mm)

Table 2 – Dimensions

Series Number	Dimensions Under No Load																									
	A ①		B		C		D + 0.016" - 0.005"		E		F		K		L ± 0.016"		M		P		Q		T ①		V _R ①	
	in	mm	in	mm	in	mm	in	mm	in	mm	in	mm	in	mm	in	mm	in	mm	in	mm	in	mm	in	mm	in	mm
283	2.88	71.1	3.25	82.6	2.562	65.1	0.516	13.1	0.328	8.3	0.125	3.2	6.50	165.1	5.250	133.4	0.58/0.55	14.7/14	0.22	5.63	3.62	91.9	2.75	69.9	2.25	57.2

Customized designs and special elastomer compounds for specific problems are available. These may result in spring rates and dimensions other than shown.

Isolation Performance: Refer to Engineering Guide, Sample Problems section for a step by step method to calculate system natural frequencies and isolation efficiency.

① Reference dimensions.

For loads under 120 lb (534 N), use a Standard Platform Mount.

Figure 1 – Part Dimensions - Square

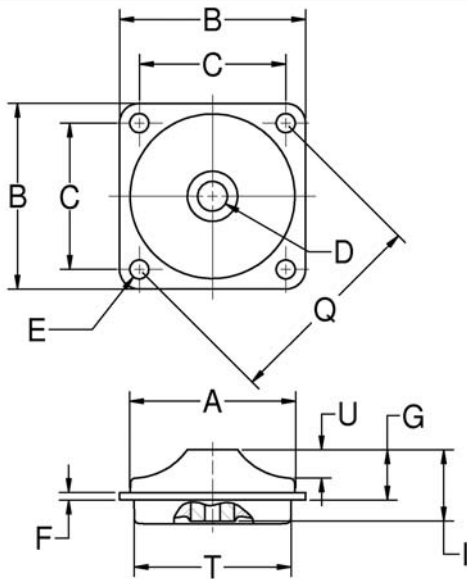


Figure 2 – Part Dimensions - Holder

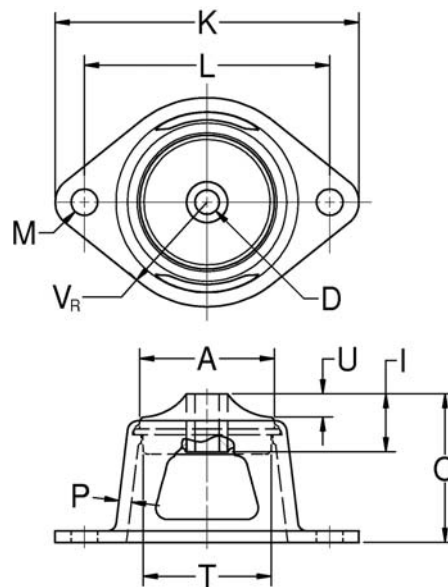


Figure 3 – Installation View

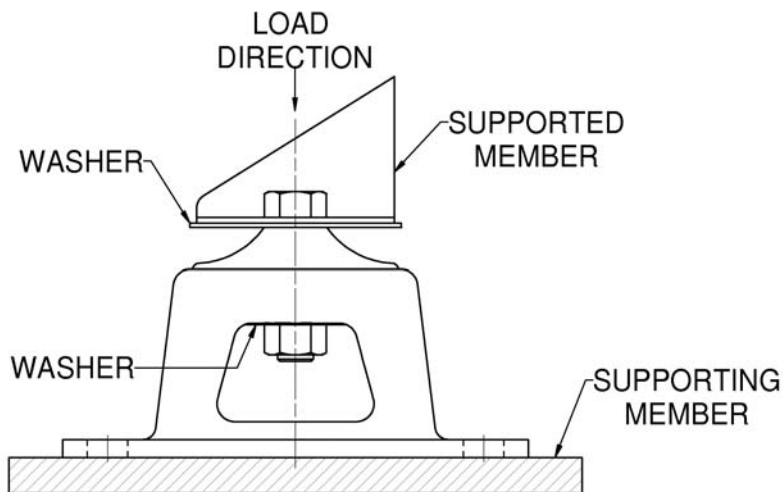


Table 3 – Snubbing Washer Part Numbers and Dimensions

Series Number	Part Number	Washer					
		Dimensions					
		O.D.		I.D.		Thickness	
		in	mm	in	mm	in	mm
283	J-2049-4	2.88	73.2	0.52	13.2	0.125	3.2

Multiplane Mount Series

Table 1 – Specifications and Dimensions

Series Number	Part Number			Max. Axial Rated Load @ 3/16 in (4.80 mm) Deflection		Axial Spring Rates		Dimensions Under No Load					
	Square	Diamond	Holder	lb	N	lb/in	N/mm	A ①		B		C	
								in	mm	in	mm	in	mm
106 Aluminum	–	106PDL-1	106PHL-1	1	4	5	.9	1.00	25.4	1.25	31.8	1.000	25.4
	–	106PDL-2	106PHL-2	2	9	11	1.9	1.00	25.4	1.25	31.8	1.000	25.4
	–	106PDL-3	106PHL-3	3	13	16	2.8	1.00	25.4	1.25	31.8	1.000	25.4
	–	106PDL-4	106PHL-4	4	18	21	3.7	1.00	25.4	1.25	31.8	1.000	25.4
	106PL-6	106PDL-6	106PHL-6	6	27	32	5.6	1.00	25.4	1.25	31.8	1.000	25.4
156 Steel	156P-6	156PD-6	–	6	27	32	5.6	1.50	38.1	1.75	44.5	1.375	34.9
	156P-9	156PD-9	156PH-9	9	40	48	8.4	1.50	38.1	1.75	44.5	1.375	34.9
	156P-13	156PD-13	–	13	58	69	12.1	1.50	38.1	1.75	44.5	1.375	34.9
	156P-16	156PD-16	156PH-16	16	71	85	14.9	1.50	38.1	1.75	44.5	1.375	34.9
206 Steel	206P-20	206PD-20	206PH-20	20	89	106	18.6	2.00	50.8	2.25	57.2	1.750	44.5
	206P-30	206PD-30	206PH-30	30	133	160	28.0	2.00	50.8	2.25	57.2	1.750	44.5
	206P-45	206PD-45	206PH-45	45	200	240	42.0	2.00	50.8	2.25	57.2	1.750	44.5

Materials: Metal parts are cold rolled steel or alodized aluminum alloy. Flexing elements are specially compounded natural rubber. Steel holder for holder-type mountings are plated. Unplated steel parts are coated with specially prepared rust preventative for protection during shipment or storage.

① Reference dimensions.

Tolerances: 0.xx = ± 0.03 in (± 0.762 mm)
0.xxx = ± 0.015 in (± 0.381 mm)

Mounting bolt holes are + 0.003 in (0.076 mm) and - 0.002 in (0.050 mm)

Table 2 – Dimensions

Series Number	Dimensions Under No Load																											
	D + 0.008" - 0.002"		E		F		G ①		I		K		L		M		O ①		P		Q		R		S		U ①	
	in	mm	in	mm	in	mm	in	mm	in	mm	in	mm	in	mm	in	mm	in	mm	in	mm	in	mm	in	mm	in	mm	in	mm
106	0.166	4.2	0.141	3.6	0.032	0.8	0.53	13.5	0.84	21.3	1.69	42.9	1.375	34.9	0.141	3.6	1.58	40.1	0.025	0.6	1.414	35.9	0.62	15.7	1.66	42.2	0.38	9.7
156	0.257	6.5	0.166	4.2	0.050	1.3	0.60	15.2	0.97	24.6	2.38	60.5	1.937	49.2	0.196	5.0	1.81	46.0	0.032	0.8	1.945	49.4	0.88	22.4	2.32	58.9	0.42	10.7
206	0.391	9.9	0.196	5.0	0.062	1.6	0.59	14.9	1.00	25.4	3.00	76.2	2.500	63.5	0.257	6.5	1.98	50.3	0.032	0.8	2.475	62.9	1.12	28.4	2.98	75.7	0.34	8.6

Customized designs and special elastomer compounds for specific problems are available. These may result in spring rates and dimensions other than shown.

Isolation Performance: Refer to Engineering Guide, Sample Problems section for a step by step method to calculate system natural frequencies and isolation efficiency.

① Reference dimensions.

Figure 1 – Part Dimensions - Square

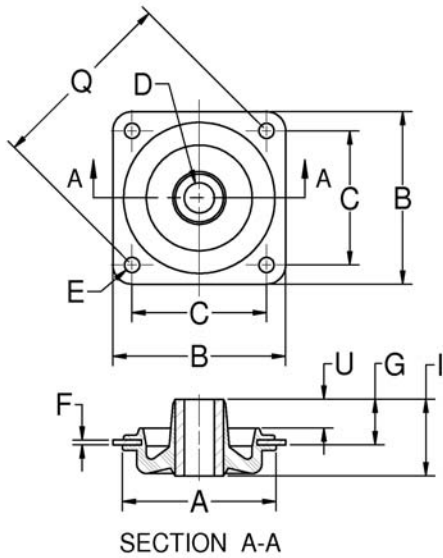


Figure 2 – Part Dimensions - Diamond

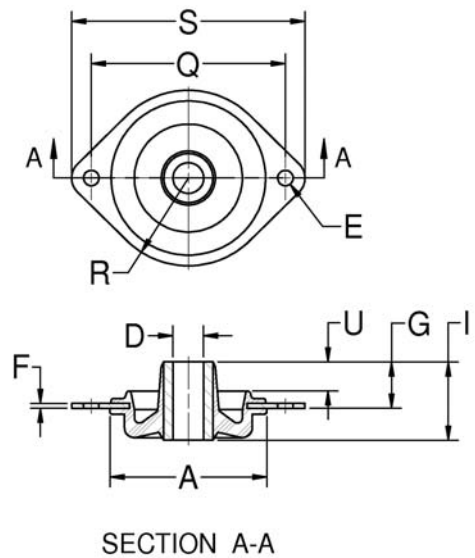


Figure 3 – Part Dimensions - Holder

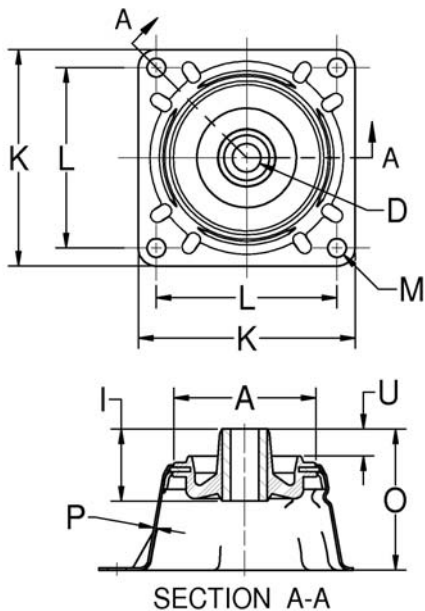


Figure 4 – Installation View

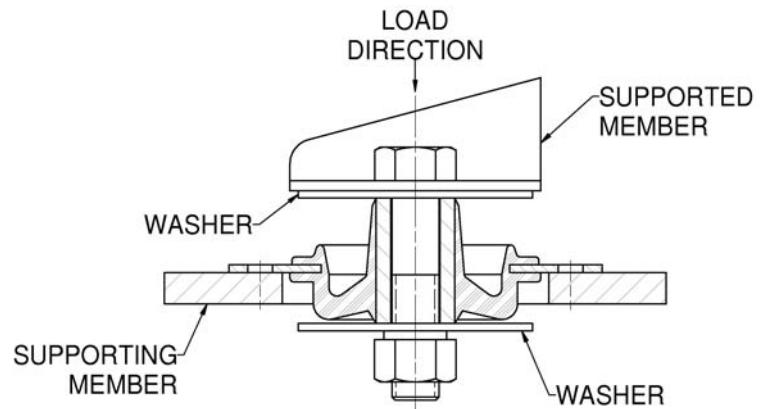


Table 3 – Snubbing Washer Part Numbers and Dimensions

Series Number	Part Number ②	Steel Washer					
		Dimensions					
		O.D. ± 0.016"		I.D. + 0.016" - 0.000"		Thickness ± 0.010"	
		in	mm	in	mm	in	mm
106	J-2049-1	0.88	22.4	0.17	4.3	0.032	0.8
156	J-2049-2	1.38	35.1	0.26	6.6	0.050	1.3
206	J-2049-3	1.88	47.8	0.39	9.9	0.060	1.5

② Steel washers are plated.

Contact Us
For your LORD solution



www.midatlanticrubber.com
sales@midatlanticrubber.com

1-800-536-1620